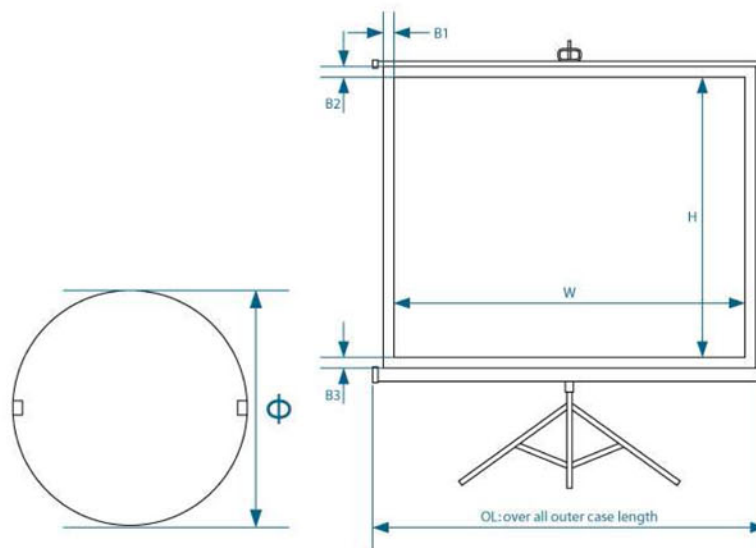


Tripod Projection Screen

- * 4 black masking borders
- * Fast and easy setup
- * Frame available in black or white
- * Lightweight tripod stand
- * Standard Keystone Eliminator

Screen Surface Available:

B - Polyester Woven Fabric; K - Warp Knitting Fabric



Product Code	Screen Size (HxW, inches)	Viewing Area(mm)		B1 (mm)	B2 (mm)	B3 (mm)	OLxCDxCH (mm)	Packing Dimension LxWxH(mm)	G.W. (kg)
		Height	Width	Side	Upper	Lower			
1:1 Square Format									
VET050050	70"(50"x50")	1270	1270	30	30	50	1409x150x75	1480x175x130	7.08
VET060060	84"(60"x60")	1524	1524	30	30	50	1663x150x75	1735x175x130	8.07
VET070070	100"(70"x70")	1778	1778	30	30	50	1917x150x75	1990x175x130	9.13
VET080080	113"(80"x80")	2032	2032	40	40	50	2171x150x75	2238x175x130	10.27
VET096096	135"(96"x96")	2360	2360	40	30	30	2521x150x75	2590x175x130	11.84
4:3 Video Format									
VCP050067	84"(50"x67")	1280	1707	30	30	50	1846x150x75	1919x175x130	8.45
VCP060080	100"(60"x80")	1524	2032	40	40	50	2171x150x75	2238x175x130	9.75
VCP072096	120"(72"x96")	1829	2360	40	40	50	2521x150x75	2590x175x130	11.16
16:9 HDTV Format									
VCP048084	97"(48"x84")	1200	2134	30	40	400	2171x150x75	2238x175x130	9.71
VCP054096	110"(54"x96")	1328	2360	40	40	400	2521x150x75	2590x175x130	11.05

All specifications or measurements are subject to change without notice.
Customer formats and sizes are available upon request